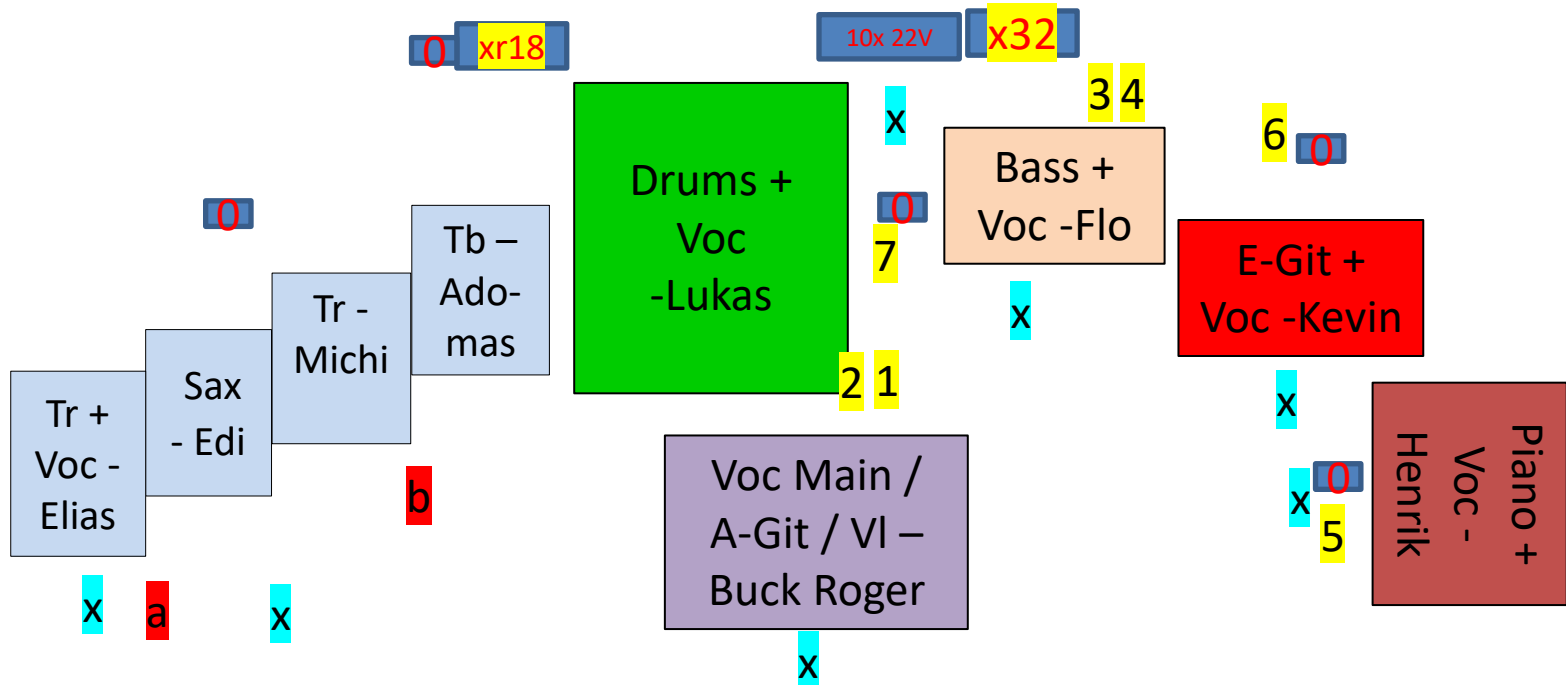


# Bühnenplan 24.06.2022 Album Release *Say What Ampere* Buck Roger & The Sidetrackers



1 = DI-Box : A-Git

2 = DI-Box : VI

3 = DI-Box : Db

4 = DI-Box : B

5 = Stereo DI-Box : Piano

6 = E-Git Amp 1

7 = E-Git Amp 2

**XR18 + X23** mit  
XLR Schnittstellen  
über Splitter für FOH

**x** = Mic-Stand

**a-b** = Monitore

**Riser II : Drums**

**0**

= 220V Zugang

**Drums: 2xOV / 2xSN / BD / 3xTom**